

Approximately 50% of all downtime in personal computers is a result of power disturbances. According to a Bell System study, 90% of all sites experience up to 89 power disturbances each year. These disturbances also cause data distortion, data loss, and even hardware damage. Elgar's Intelligent Power Systems (IPS) are the only systems that automatically protect the computer, irrelevant to the duration of the power problem.

Hardware Features

- **Continuous on line protection against line noise, transients, surges, spikes, brownouts and power interruptions and blackouts.**
- Supplies 400 watts of battery back-up for 5 minutes.
- Provides an additional 600 watts of conditioning.
- **Inverter is constantly on-line.**
- **True sine-wave output.**
- **Phase lock looping, frequency lock looping for synchronization to utility line.**
- Compact, lightweight unit sits between your monitor and CPU. Options available to fit on side of tower stands and wall mount models.
- **Unique technology eliminates RFI and EMI noise.**
- Provides "easy touch" power direction to CPU and peripherals.
- Monitors and displays output voltage, inverter operation, battery shut down and IPS condition.

Elgar's FailSafe Software Features:

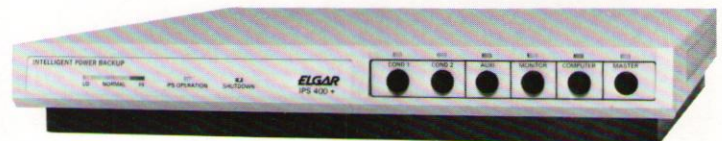
Elgar's FailSafe software may be instructed to automatically save data and shut down the system in an orderly manner in the event of an extended power failure. When power is restored, the software can reboot and return to the application program. The Elgar IPS will monitor unattended operations such as overnight data transfers and tape back-up so that information is not lost due to power problems, allowing better utilization of personnel. PC/MS DOS version is shipped with every IPS.

- Automatically saves data and exits the application program during a power failure.
- Elgar's FailSafe can preserve internal batteries by turning the IPS off after saving the data.
- Reboots system when power is restored and can restart the operation that was interrupted.
- Programmable "hot key" gives easy entry and exit of applications during daily operations.
- Versions of Elgar's FailSafe for other operating systems, including networks are available (optional purchase).

Elgar offers:

- One year warranty and worldwide service.
- Unsurpassed reliability, proven technological and market leadership in 350 to 50,000 watt UPS and power sources for over 20 years.

The Only Intelligent Power System



The Elgar Intelligent Power System (IPS)* is the only system of its kind providing maximum protection for computer hardware and data.

For more information on the family of Intelligent Power Systems, contact Elgar Corporation at:

(619) 450-0085 • 1-800-854-2213
In Calif. 1-800-44-ELGAR

Elgar's FailSafe™ is a trademark of Elgar Corporation
FailSafe® Elgar Corporation 1985
* Patent Pending

SPECIFICATIONS: IPS 400 + 600

ELECTRICAL

Input Characteristics

- Voltage Rating 120 VAC + 10% - 15% @ 60 Hz ± 3 Hz

Typical Output Characteristics

- Voltage Rating 120 VAC @ 60 Hz
- Frequency Stability 60 Hz ± 1%
- Output Waveform — Sinewave <5% Total Harmonic Distortion at 300 Watts @ 1PF
- Power Rating 400 W @ 1.0 PF
- Back-up/Conditioning 600 W @ 1.0 PF
- Conditioning Only
- Powerline To Inverter/Battery 102 VAC @ 120 VAC
- Inverter/Battery to Powerline 108 VAC @ 120 VAC

Two-Stage Noise, Transient & Overvoltage Protection

- Noise Protection Begins at 150 kHz: -55 dB @ 10 MHz
- 120 VAC 220/240 VAC
- Clamping Level (Peak Voltage) 354 610
- Energy Dissipation (Joules) 130 160
- Peak Transient Current (Amps) 6500 6500

Battery

- Type 6 Volt Rechargeable Sealed Maintenance-Free Lead Acid
- Voltage 24 VDC
- Battery Recharge Time At Full Load 8 Hours

Environmental Ratings

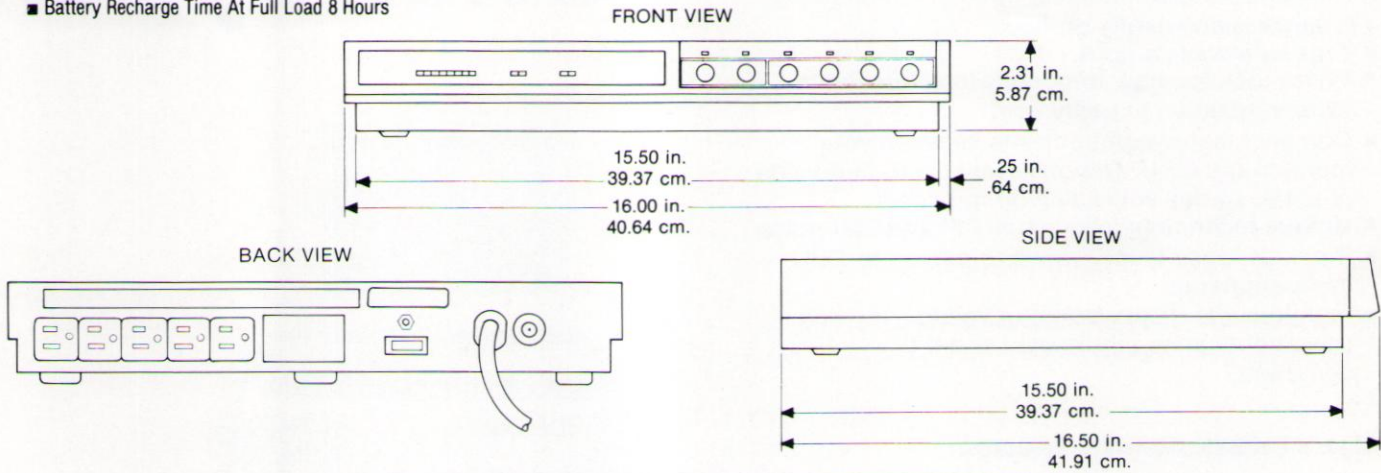
- Operating Temperature 0° C to 40° C
- Operating Humidity 0% to 95% (Non-Condensing)
- Operating Altitude Up to 10,000 Feet

System Control & Indicators

- Power Control Switches
 - Lighted AC Input Master Switch
 - 3 Lighted Switches For Backed-Up Outlets
 - 2 Lighted Switches For Conditioned Outlets.
- Lighted Status Indicators
 - AC Output Level LED Bar Graph Display
 - Inverter Operation Indicator
 - Elgar's FailSafe Shutdown Indicator
- Audible Alarm The audible alarm sounds every 20 seconds when the system is working on the Inverter/Battery.
- Elgar's FailSafe Signal Elgar's FailSafe Package allows unattended automatic monitoring via a serial port interface at the rear panel.

MECHANICAL

- Cooling Convection
- Power Cord 120V 60 Hz - 6 Ft. U.S. Standard
- Output Receptacles 120V 60 Hz - 5 U.S. Standard
- 3 AC Receptacles For Back-up
- 2 AC Conditioned Receptacles



Sample Applications	Battery Back-Up Time
XT Compatible 150W plus add'l 100W for peripherals	8 Min. @ 250 W
AT Compatible 200W plus add'l 100W for peripherals	6 Min. @ 300 W
Mod 60 207W plus add'l 100W for peripherals	6 Min. @ 307 W
Mod 80 225W plus add'l 100W for peripherals	5 Min. @ 325 W

STANDARD INTERNAL BATTERY							
Model Number	Output Rating	Typical Back-Up Time in Min.					Weight Lbs/Kgs
		50 Watt	100 Watt	200 Watt	300 Watt	400 Watt	
IPS 400 + 600	400 W	45	20	10	6.5	5	25/11

UL Listed #E99755
CSA Pending

CAUTION: The IPS 400 + 600 is designed for use with computer power supplies only.

IPS 400 + 600 Spec 1/88 - 20M

For information on the entire family of Elgar products, contact your authorized Elgar Distributor.

ELGAR

9250 Brown Deer Road • San Diego, California 92121
Telephone (619) 450-0085 • 1-800-854-2213
Telex: 211063 ELSD UR • In Calif. 1-800-44-ELGAR